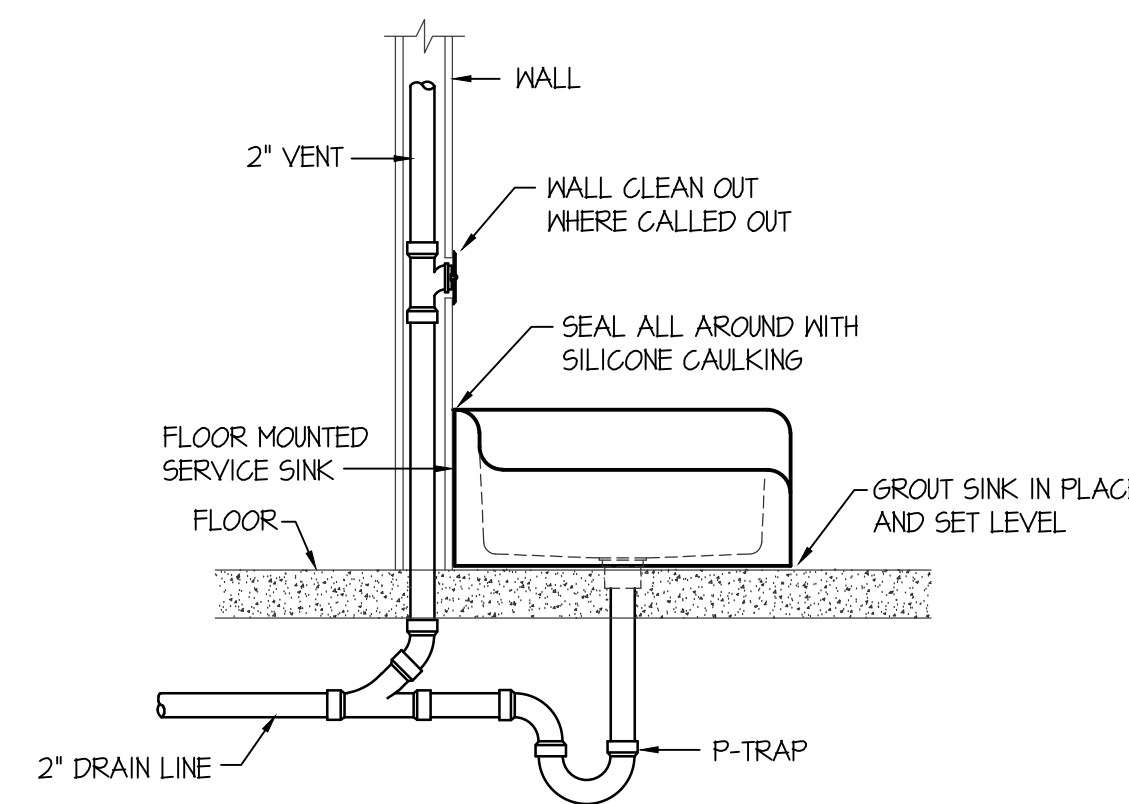
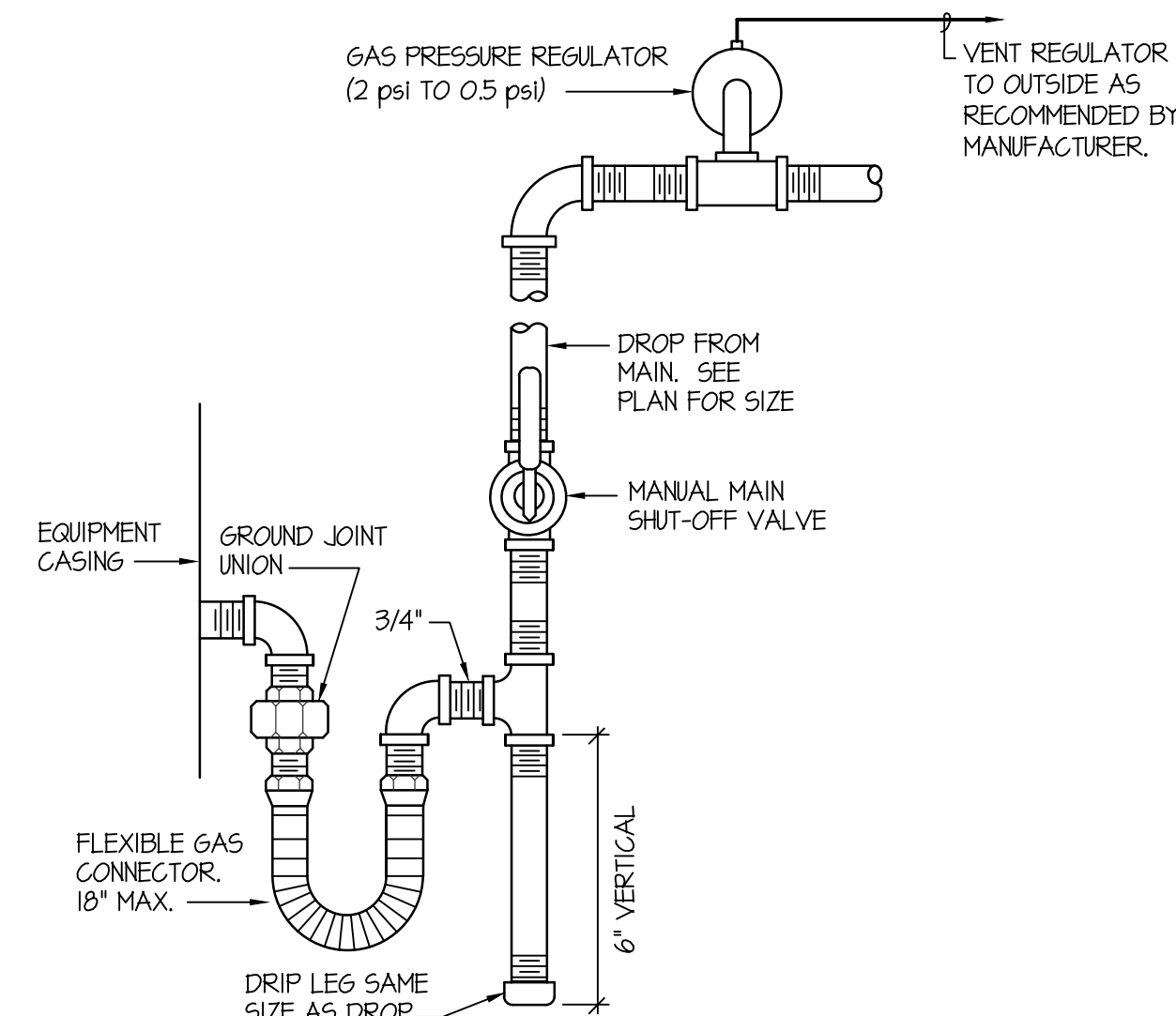


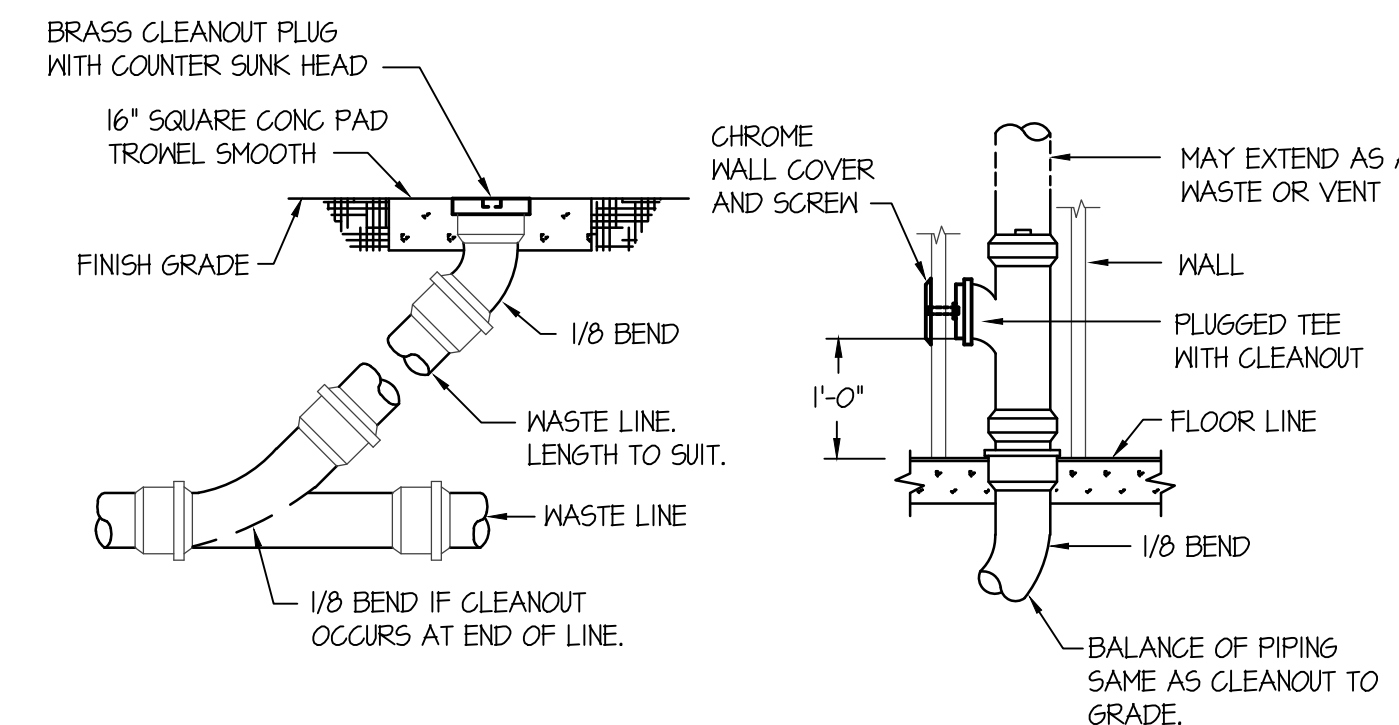
**WATER HEATER PIPING DIAGRAM**  
NO SCALE



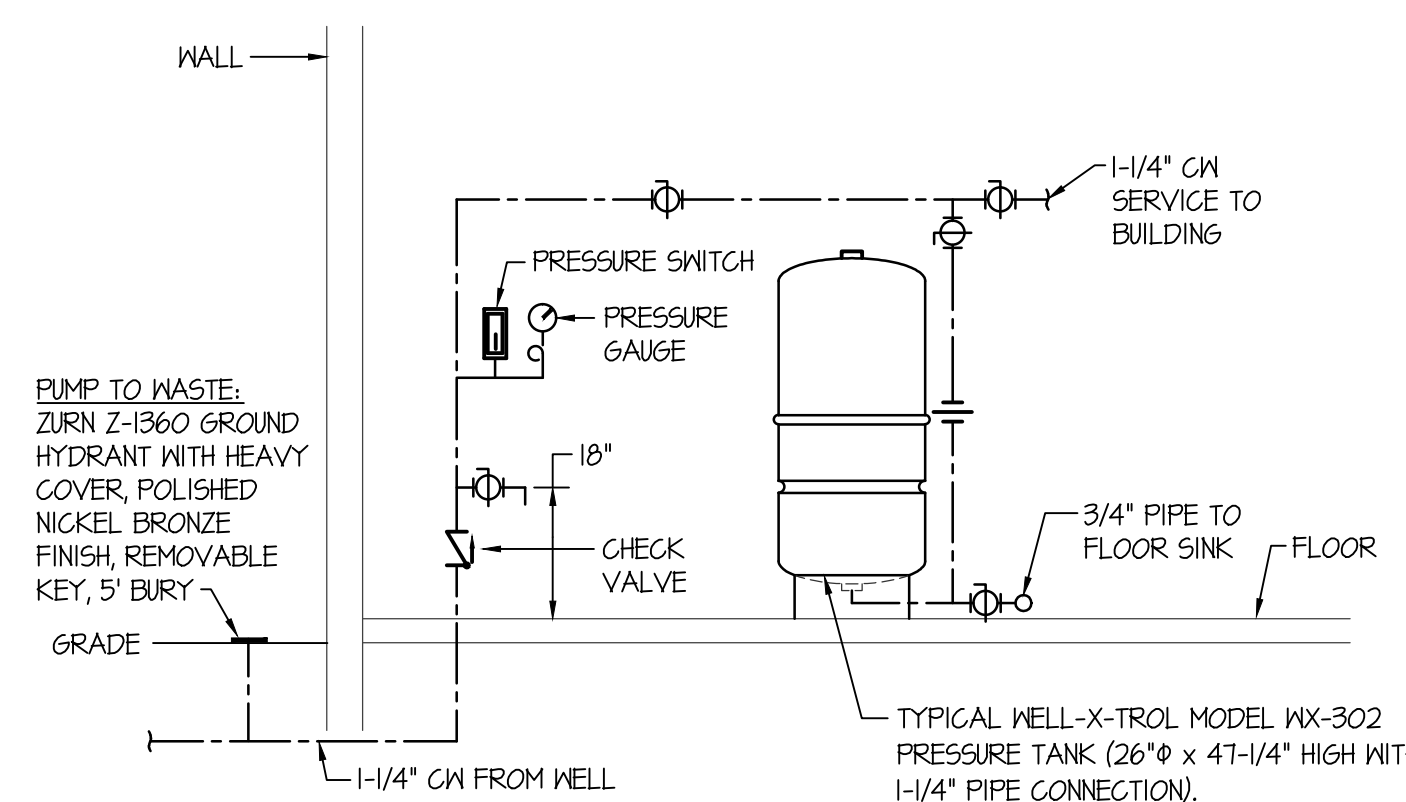
**SERVICE SINK INSTALLATION DETAIL**  
NO SCALE



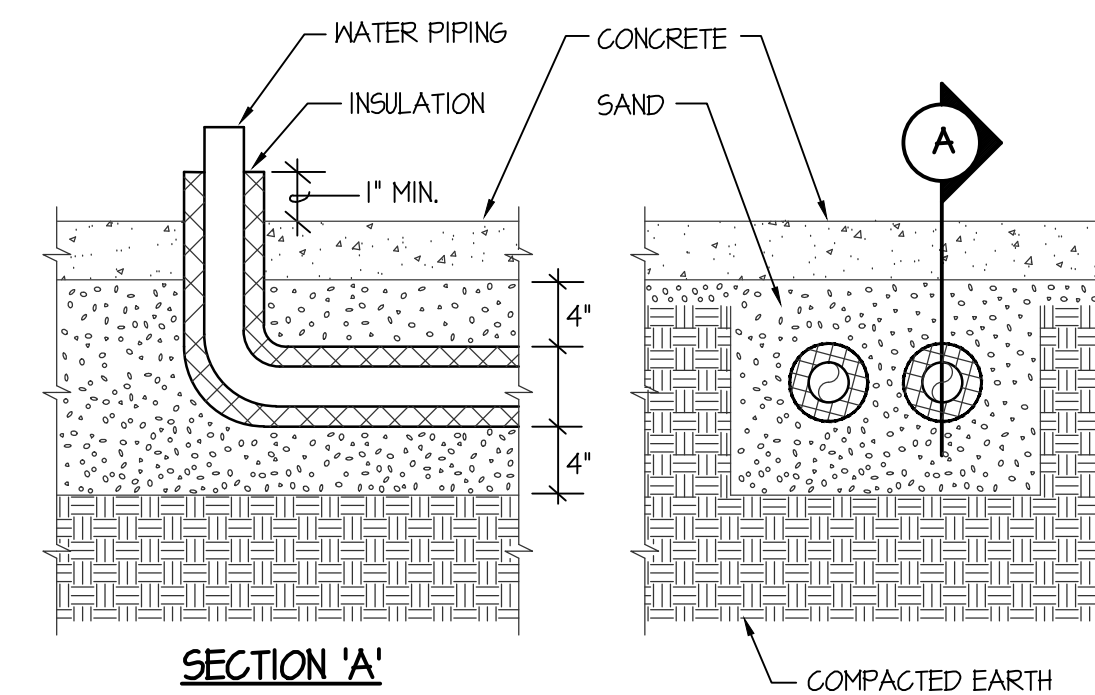
**GAS LINE CONNECTION DETAIL**  
NO SCALE



**CLEAN OUT DETAILS**  
NO SCALE



**WELL TANK PIPING DETAIL**  
NO SCALE



- NOTES:**
- 1 - ALL WATER PIPING INSTALLED UNDERFLOOR SHALL BE TYPE "K" COPPER
  - 2 - WATER PIPE INSULATION ON UNDERFLOOR PIPING SHALL BE ARMAFLEX 3/4" THICK RUBBER PIPE INSULATION. TAPE INSULATION AT ALL SEAMS.
  - 3 - MINIMUM PIPE SIZE UNDERFLOOR SHALL BE 3/4"
  - 4 - SAND FILL AROUND PIPING SHALL BE A MINIMUM OF 4" THICK. MATERIAL SHALL BE HAND TAMPED, RODDED OR LIGHTLY COMPACTED DURING INSTALLATION. CARE SHOULD BE TAKEN NOT TO DEFORM OR OTHERWISE DAMAGE PIPING OR INSULATION.

**UNDER SLAB PIPE INSTALLATION DETAIL**  
NO SCALE

FIXTURE SCHEDULE					
SYM.	DESCRIPTION	HOT	COLD	WASTE	VENT
(WC-1)	ADA TANK TYPE WATER CLOSET - KOHLER K-3421 "HIGHLINE" W/ ELONGATED BOWL, K-4670-C WHITE OPEN FRONT SEAT, BOLT CAPS AND 1/2" STOP VALVE. RIGHT OR LEFT HAND FLUSH LEVER SO LEVER IS ON OPEN SIDE OF ACCESSIBLE STALLS.	---	1/2"	4"	2"
(L-1)	ADA WALL MOUNTED LAVATORY - KOHLER 2023 "GREENNICH" (SIZE 20"x18") WITH K-1115 OPEN GRID STRAINER, MOEN L4601 FAUCET, 1/2" STOPS AND 1-1/2" P-TRAP. PROVIDE INSULATING JACKET ON WATER AND WASTE PIPE. PROVIDE CONCEALED ARM CARRIER SYSTEM.	1/2"	1/2"	1-1/2"	1-1/2"
(FS-1)	FLOOR SINK - ZURN Z-1400-KC WITH WHITE ENAMEL FINISH DOME STRAINER AND 4" DEEP SEAL P-TRAP. PROVIDE 3/4" GRATE OVER SINK.	---	---	4"	2"
(FD-1)	2" FLOOR DRAIN WITH PRIMER - ZURN Z-415B WITH 5" NICKEL-BRONZE STRAINER AND 2" DEEP SEAL P-TRAP.	---	---	2"	2"
(JS-1)	FLOOR MOUNTED SERVICE SINK - KOHLER K-6110 "WHITBY" W/ K-8440 WIRE RIM GUARD, K-8426 FAUCET ASSEMBLY & K-9142 STRAINER & DEEP SEAL P-TRAP. HOSE & HOSE CLAMP.	1/2"	1/2"	2"	2"
(WH-1)	ELECTRIC WATER HEATER - A.O. SMITH MODEL EJECT-20 20 GALLON ELECTRIC WATER HEATER WITH 4500 WATT UPPER & LOWER ELEMENTS (240/60/1), AMTROL ST-5 EXPANSION TANK, T4P VALVE.	3/4"	3/4"	---	---
(RB-1)	REFRIGERATOR SUPPLY BOX - GUY GRAY MODEL BIM075 W/ 1/2" x 1/4" SHUT OFF VALVE.	---	1/2"	---	---
(S-1)	SINGLE COMPARTMENT SINK - ELKAY LR-2219, 18-GA. WITH MOEN 1560SL FAUCET, LK-99 STRAINER, 1-1/2" P-TRAP AND 1/2" BALL TYPE STOP VALVES.	1/2"	1/2"	2"	2"

ORIGINAL DRAWING SIGNED BY: DWAYNE C. SUDWEEKS  
DATE ORIGINAL SIGNED: JULY 19, 2019  
ORIGINAL ON FILE AT ENGINEERED SYSTEMS ASSOCIATES  
1355 EAST CENTER, POCA TELLO, IDAHO 83201

**Engineered Systems Associates**  
1355 EAST CENTER  
POCA TELLO, IDAHO 83201  
PHONE: (208) 233-0501  
FAX: (208) 233-0529  
EMAIL: esa@engsystems.com  
ESA JOB NUMBER: 19032

PROFESSIONAL ENGINEER REGISTERED 5762  
DWAYNE C. SUDWEEKS  
STATE OF IDAHO

REVISIONS	DATE	DESCRIPTION

SHEET NUMBER  
**P-3 OF 3**